

VYR-66



VYR-66 · Part circle AG

GENERAL PROPERTIES:

- Part circle impact sprinkler, medium flow.
- 3/4" male or female connection.
- Made of plastic and stainless steel.
- Arm with 2 steel weights inserted.
- High-resistance rotating joints.
- Nozzle angles of 30° and 11°
- Part circle mechanical system using clips that are very easy and quick to adjust.
- Used in full coverage irrigation with medium flow to cover the side and corner areas.
- Special mechanical and hydraulic design for energy saving and an optimal coverage coefficient.

TECHNICAL SPECIFICATIONS:

- Reach: 12 - 19 m / 39 - 62 ft.
- Flow: 800 - 3,270 L/H / 211 - 863 GPH
- Working pressure: 1.75 - 5 BAR / 25 - 72 PSI.
- Area: Part or full circle.
- Nozzles: One main long reach nozzle and a secondary short reach nozzle.
- Trajectory angles: 30° and 11°
- Maximum stream height: 4.0 m / 13,1 ft.
- Rotation time: Depending on the pressure and the nozzles, the rotation will be constant and continuous.
- Uniformity coefficient higher than 90% in areas of 15x18R, 18x18T and 20x18T (meters).

APPLICATIONS:

- Horticultural plantations, cereals, tubers, leguminous and fruit trees.

MEASUREMENTS:

- Height: 16 cm / 6,3 in.
- Width: 18 cm / 7,1 in.
- Weight: 182 g / 0,40 Lbs.
- Units per box: 50

OPTIONS:

- Threads in BSP or NPT under demand.
- Plate with diffuser pin for the main jet.
- Foldable tripod for mobile installation.

MODELS:

Ref. 006600: Male without diffuser pin.

Ref. 006610: Male with diffuser pin.

Ref. 006620: Female without diffuser pin.

Ref. 006621: Female with diffuser pin.

Ref. 006600AF: Male without diffuser pin + AF Cap.

Ref. 006610AF: Male with diffuser pin + AF Cap.

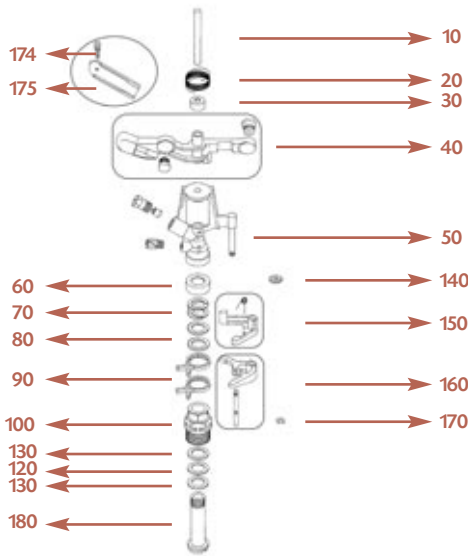
Ref. 006620AF: Female without diffuser pin + AF Cap.

Ref. 006621AF: Female without diffuser pin + AF Cap.

Ref. 106600: Diffuser pin assembly.



TABLES & PARTS



Arm weights



Performance nozzle tables VYR-66

Long range nozzles (long vane) + plug

NOZZLE	3,2 mm 1/8"		3,6 mm 9/64"		4 mm 5/32"		4,4 mm 11/64"		4,8 mm 3/16"		5,2 mm 13/64"		5,6 mm 7/32"	
	BAR PSI	L/H GPH	Ø m Ø ft	L/H GPH	Ø m Ø ft	L/H GPH	Ø m Ø ft	L/H GPH	Ø m Ø ft	L/H GPH	Ø m Ø ft	L/H GPH	Ø m Ø ft	L/H GPH
2,5	620	26	790	26,5	970	27,5	1160	29	1390	31	1640	31,5	1720	33
36	164	85	209	87	256	90	306	95	367	102	433	103	454	108
3	680	26	860	26,5	1050	28	1270	29,5	1510	32	1790	32,5	1880	34
44	180	85	227	87	277	92	335	97	399	105	473	107	496	112
3,5	740	26,5	930	27	1140	29,5	1380	31	1640	33	1930	33,5	2140	35
51	195	87	246	89	301	97	364	102	433	108	510	110	565	115
4	790	26,5	1000	28	1220	29,5	1470	32	1750	33,5	2060	34,5	2240	36
58	209	87	264	92	322	97	388	105	462	110	544	113	591	118
4,5	840	27	1060	29	1290	30	1550	32,5	1860	34	2180	35	2410	36,5
65	222	89	280	95	341	98	409	107	491	112	576	115	636	120
5	880	27,5	1120	29,5	1360	30,5	1640	33	1960	34,5	2290	35,5	2520	37,5
73	232	90	296	97	359	100	433	108	517	113	605	116	665	123
5,5	930	28	1170	30	1430	31	1720	34	2060	36	2380	36	2640	39
80	246	92	309	98	378	102	454	112	544	118	628	118	697	128

(Sprinkler at 1m height)



Easy part-circle adjustment

Long range nozzles (long vane) + short range nozzle

NOZZLE	3,2 x 2,4 mm 1/8 x 3/32"		3,6 x 2,4 mm 9/64 x 3/32"		4 x 2,4 mm 5/32 x 3/32"		4,4 x 2,4 mm 11/64 x 3/32"		4,4 x 2,8 mm 11/64 x 7/64"		4,8 x 2,8 mm 3/16 x 7/64"		4,8 x 3,2 mm 3/16 x 1/8"		5,2 x 3,2 mm 13/64 x 1/8"		5,6 x 3,2 mm 7/32 x 1/8"	
	BAR PSI	L/H GPH	Ø m Ø ft	L/H GPH	Ø m Ø ft	L/H GPH	Ø m Ø ft	L/H GPH	Ø m Ø ft	L/H GPH	Ø m Ø ft	L/H GPH	Ø m Ø ft	L/H GPH	Ø m Ø ft	L/H GPH	Ø m Ø ft	L/H GPH
2,5	980	26	1150	26,5	1320	27,5	1520	29	1730	30,6	1895	31	2050	31	2310	31,5	2460	33
36	259	85	304	87	348	90	401	95	457	100	500	102	541	102	610	103	649	108
3	1070	26	1250	26,5	1450	28	1670	29,5	1800	31,6	2100	32	2240	32	2520	32,5	2730	34
44	282	85	330	87	383	92	441	97	475	104	554	105	591	105	665	107	721	112
3,5	1160	26,5	1350	27	1560	29,5	1800	31	1915	32	2255	33	2420	33	2720	33,5	2915	35
51	306	87	356	89	412	97	475	102	506	105	595	108	639	108	718	110	770	115
4	1240	26,5	1450	28	1670	29,5	1920	32	2070	32,4	2400	33,5	2590	33,5	2910	34,5	3035	36
58	327	87	383	92	441	97	507	105	546	106	634	110	684	110	768	113	801	118
4,5	1320	27	1540	29	1770	30	2030	32,5	2165	33	2545	34	2750	34	3070	35	3170	36,5
65	348	89	407	95	467	98	536	107	572	108	672	112	726	112	810	115	837	120
5	1360	27,5	1620	29,5	1870	30,5	2140	33	2300	33,4	2680	34,5	2880	34,5	3230	35,5	3300	37,5
73	359	90	428	97	494	100	565	108	607	110	708	113	760	113	853	116	871	123
5,5	1460	28	1700	30	1960	31	2240	34	2400	33,8	2810	36	3010	36	3360	36	3430	39
80	385	92	449	98	517	102	591	112	634	111	742	118	795	118	887	118	906	128

Standard Ø: Diameter range

(Sprinkler at 1m height)

- For optimum distribution avoid use in shady areas.
- Sprinklers will be supplied with standard nozzles unless otherwise specified.
- In order to calculate the flow, add the flows of the two nozzles. The range of the rear nozzle must be less than that of the main nozzle.
- These results has been obtained at indoor laboratory with 0 m/seg win velocity. Outdoor results may change range distances.